

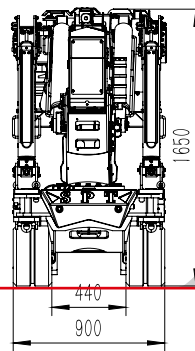
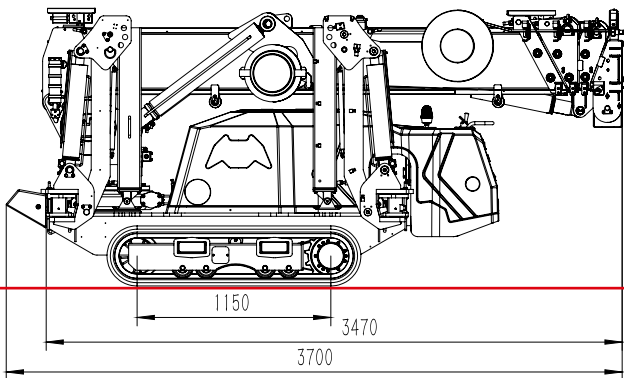
# Uplifter SPT299

Mini crane | Uplifter



Load capacity	2.950 kg
Working height max.	ca. 9,7 m (ca. 14,5 m incl. Jib)
Assembly tip	
Radio remote control	
Crane under ground	10.0 m/4-fold, 20.0 m/2-fold, 40.0 m/1-fold shear
Drive	Hybrid (electric and diesel engine)
Climbing ability	max. 20° or 36 %
Length*	3,70 m
Wide*	0,90 m
Height*	1,65 m
Dead weight*	2.750 kg (2.980 kg with Fly Jib)
Accessories	Hydraulic jib, manual jib, tool box, white tracks, load distribution plates for the outriggers.

\* depending on equipment



## Load diagram (t)

