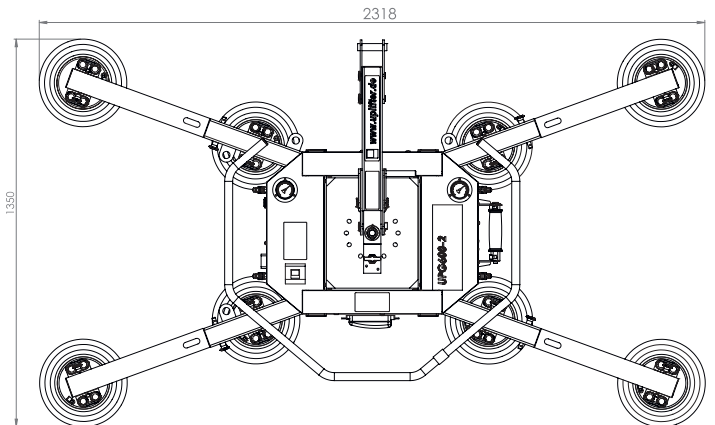
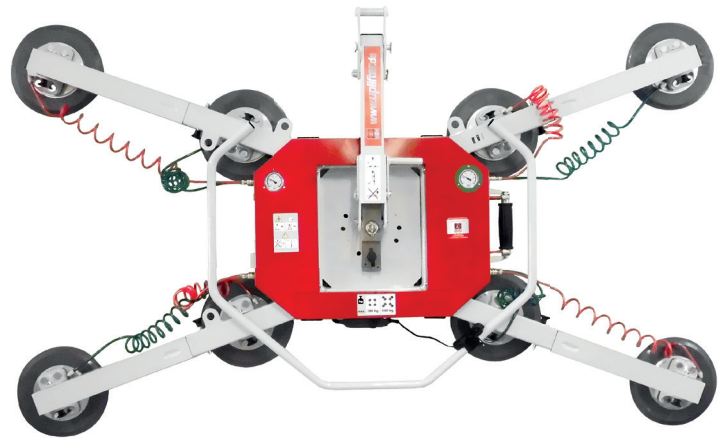


Vacuum cup UPG600

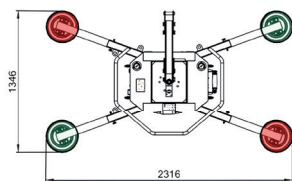
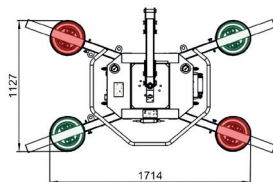
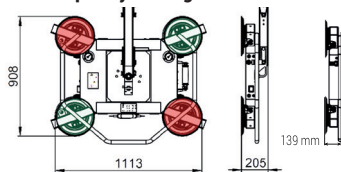
Vacuum technology | Uplifter



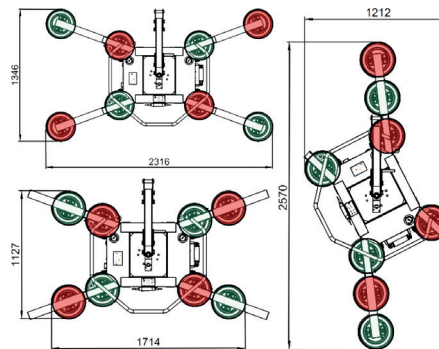
Load capacity	600 kg
Suction disc quantity	8 Pieces
Suction plate Diameter	Ø 300 mm
Curved discs	No
Lowering cylinder	optional
Radio remote control	optional
Dead weight max.	89,0 kg
Length max./min.	2,57/1,13 m
Wide max./min.	1,35/0,91 m
Inclination angle	90°
Rotatability	360° in 45° grid
Operating time	approx. 8.0 hours



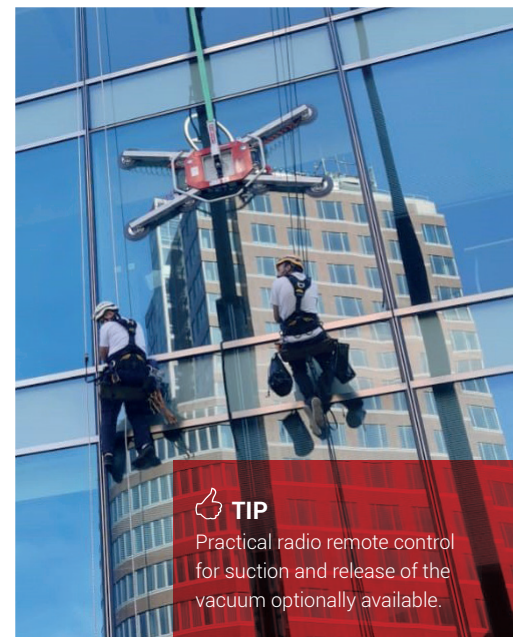
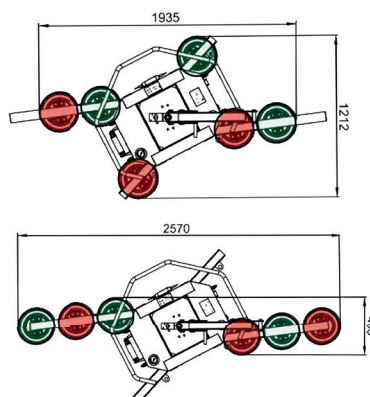
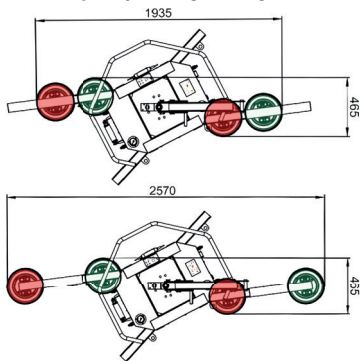
Load capacity 300 kg



Load capacity 600 kg

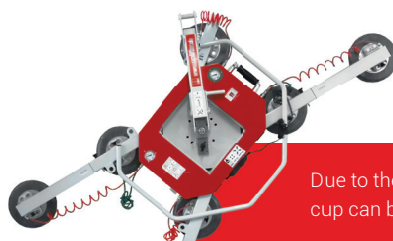
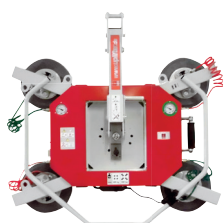


Load capacity 450 kg/300 kg



TIP

Practical radio remote control for suction and release of the vacuum optionally available.



Due to the different arrangement of the suction plates, the vacuum cup can be optimally adapted to a wide range of pane sizes.