

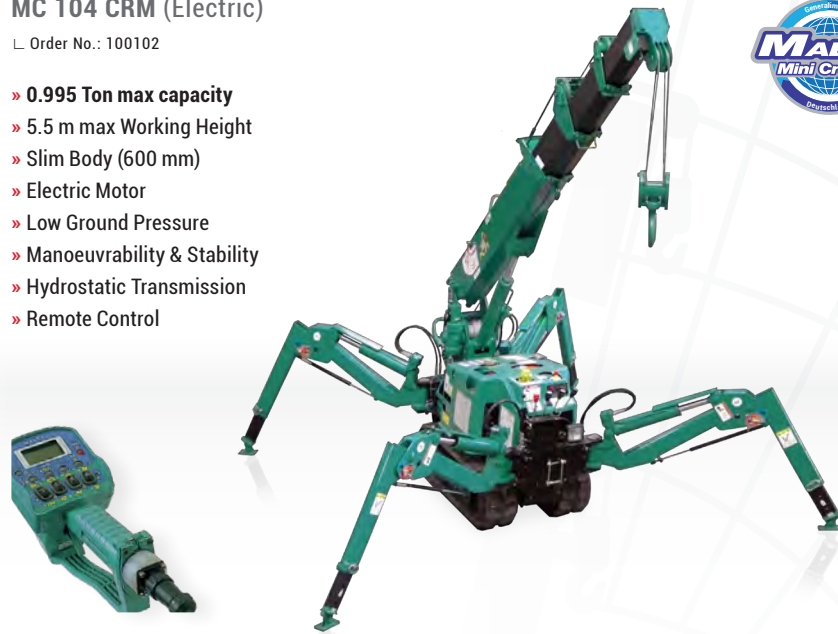
# Maeda MC 104

The smallest Maeda Mini Crane, but with excellent load bearing capacity

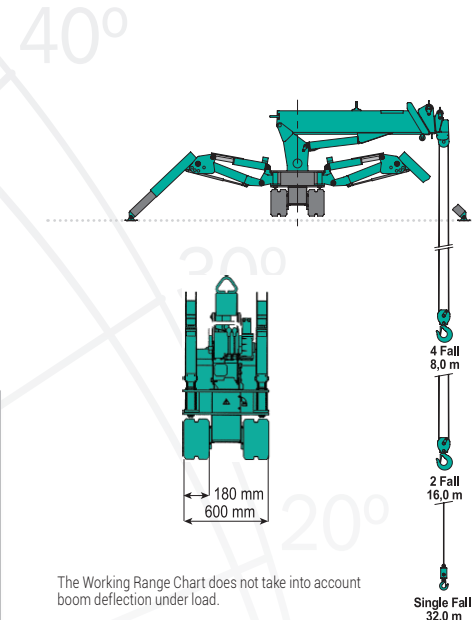
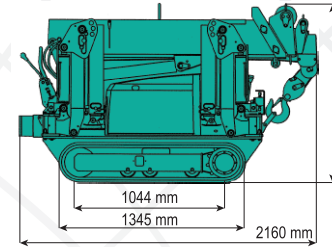
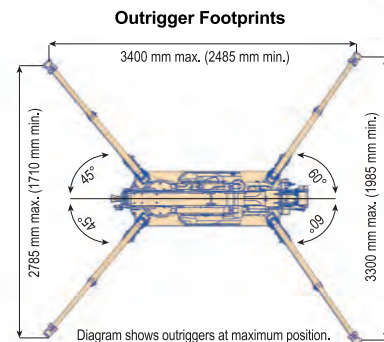
## MC 104 CRM (Electric)

Order No.: 100102

- » 0.995 Ton max capacity
- » 5.5 m max Working Height
- » Slim Body (600 mm)
- » Electric Motor
- » Low Ground Pressure
- » Manoeuvrability & Stability
- » Hydrostatic Transmission
- » Remote Control



Its slim body is able to fit through a standard doorway allowing access to areas previously inaccessible to standard cranes



The Working Range Chart does not take into account boom deflection under load.

SPECIFICATIONS	
<b>Capacity</b>	Max. 0,995 t x 1,1 m
<b>Working Radius</b>	Max. 5,1 m x 200 kg
<b>Lifting Height</b>	Max. 5,5 m x 650 kg
<b>Dimensions</b>	Max. 2.160 x 600 x 1.305 mm
<b>Weight</b>	1.150 kg
<b>Hook</b>	Hook Speed: max. 3.2 m/min. (4 falls, 3rd layer) Hook Block Weight: 15 kg
<b>Single Line Speed</b>	Max. 12.8m/min. (3rd layer)
<b>Hoist Rope</b>	Type: IWRC 6 x Fi (29) Ø 6 mm x 39 m
<b>Telescopic System</b>	Boom length: 1,85 m - 5,30 m Telescoping speed: 3,45 m/20 s Boom type: Fully automatic 4 section pentagonal telescopic boom
<b>Boom Hoist System</b>	Hoist angle: 0° - 75° Speed: 11 s
<b>Slew System</b>	Slew angle: 360deg Speed: 1,3 U/min
<b>Outrigger System</b>	Type: 4 Multi position box type. Hydraulic cylinders with lock valves maximum outriggers: (Length) 3.400 mm x (Front) 3.300 mm x (Rear) 2.785 mm
<b>Traction System</b>	Drive: Hydrostatic type, stepless forward and reverse Travel speed: 0 - 1,9 km/h Gradability: 20° Ground length x width: 1.044 mm x 180 mm (Track dimensions) Ground pressure: 0,29 kgf/cm²
<b>Motor</b>	Electric Motor: 5.5 kW, 4 P, 380 V Totally enclosed fan-cooled type
<b>Standard Equipment</b>	Working light, hour-meter, 4-fall hook block, black rubber tracks, cable remote control, overwind protection, EMO switch
<b>Optional Equipment</b>	White rubber tracks Single fall hook Two fall hook Radio remote control Loadwise Safe Load Indicator

MC 104 Outriggers Position: Max (kg)

