

Maeda MC 174

The measure for all other minikranes

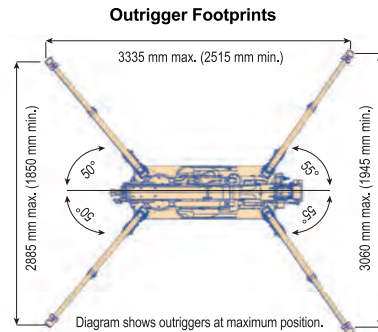
MC 174 CMR (Petrol)

Order No.: 100103

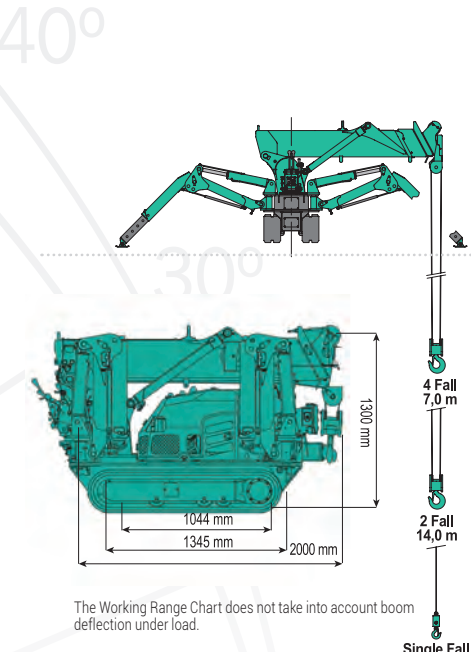
- » 1.72 Ton max. capacity
- » 5.5 m max Working Height
- » Super Slim Body Width (590 mm)
- » Low Ground Pressure
- » Manoeuvrability & Stability
- » Programmable Moment Limiter
- » Hydrostatic Transmission
- » High Speed Winch
- » 2 Travel Speeds
- » Optional 300 kg Searcher Hook
- » Remote Control
- » Tilt Alarm



Its super slim width of 590 mm coupled with its 1.72 ton lifting capacity make it absolutely unrivaled. This fantastic machine also retains all of the other benefits of the machines in the Maeda range.



SPECIFICATIONS	
Capacity	Max. 0,995 t x 1,1 m
Working Radius	Max. 5,1 m x 200 kg
Lifting Height	Max. 5,5 m x 650 kg
Dimensions	Max. 2.160 x 600 x 1.305 mm
Weight	1.150 kg
Hook	Speed: max. 3.2 m/min. (4 falls, 3rd layer) Block Weight: 15 kg
Single Line Speed	Max. 12.8m/min. (3rd layer)
Hoist Rope	Type: IWRC 6 x Fi (29); Ø 6 mm x 39 m
Telescopic System	Boom length: 1.85 m - 5.30 m Telescoping speed: 3,45 m/20 s Boom type: Fully automatic 4 section pentagonal telescopic boom
Boom Hoist System	Hoist angle: 0° - 75° Speed: 11 s
Slew System	Slew angle: 360deg Speed: 1,3 U/min
Outrigger System	Type: 4 Multi position type. Hydraulic cylinders with lock valves Maximum outriggers: (Length) 3.400 mm x (Front) 3.300 mm x (Rear) 2.785 mm
Traction System	Drive: Hydrostatic type, stepless forward and reverse Travel speed: 0 - 1,9 km/h Gradability: 20° Ground length x width: 1.044 mm x 180 mm (Track dimensions) Ground pressure: 0,29 kgf/cm²
Motor	Electric Motor: 5,5 kW, 4 P, 380 V Totally enclosed fan-cooled type
Standard Equipment	Working light, hour-meter, 4-fall hook block, black rubber tracks, cable remote control, overwind protection, EMO switch
Optional Equipment	White rubber tracks; Single fall hook; Two fall hook; Radio remote control; Loadwise Safe Load Indicator



The Working Range Chart does not take into account boom deflection under load.

MC 174 Outriggers Position: Max (kg)

