

Valla 25

Ideal for indoor work

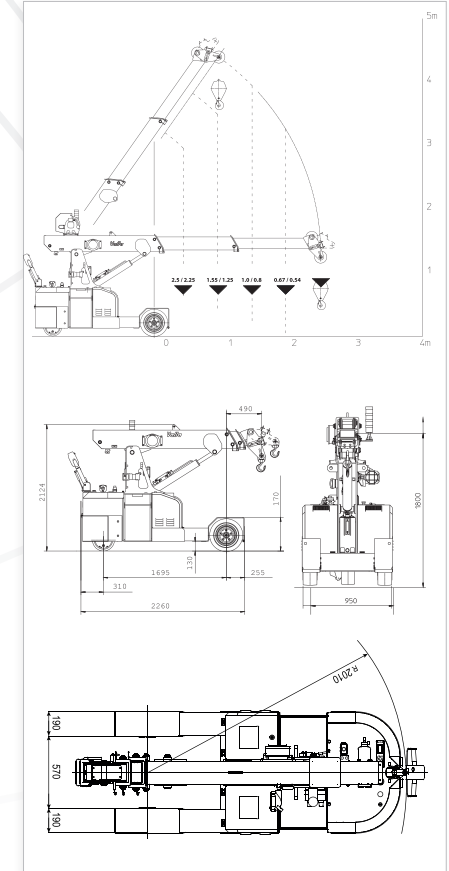
Valla 25 E (Electric)

Order No.: 104017

- » Load capacity 2,500/2,250 kg
- » 4,5 m workarea
- » Electric motor
- » Smoke-free



TECHNICAL DATA	
Drive	Electric motor
Load capacity	25 E: 2500 kg, 25 EL: 2250 kg
Work area	4,50 m
Dimensions	2,515 x 0,950 m
Weight	25 E: 2200 kg, 25 EL: 1950 kg
Swivel range	min. 2,01 m
Motor	AC electric motor 3 kW / 48 V inverter controlled, electromagnetically controlled disc brakes
Transmission	Automatic (hydrostatic)
Battery	48 V / 200 Ah battery, battery display
Control	180° steering of electronically controlled 700 W / 48 V electric motor, complete safety device on the back side
Tyres	1 rear wheel: air cushion 305x135e, 2 front wheels: 218x7-R8 inch super-elastic
L.M.I.	Electronic load moment indicator: lifted load, maximum permissible load, tilt in percentage, operating radius, angle, telescope and light indicators when in operation mode
Frame	3-wheel frame made of preformed and welded steel plates with integrated counterweight
Options	Work lights, kit for low temperatures, carry deck, fire extinguisher, wireless remote control, hydraulic winch, cable remote control, chain hoist, battery charger (on board and stand-alone), manual and hydraulic jibs; oversized winch



VALLA 25 E		VALLA 25 EL	
Out reach	Load capacity	Out reach	Load capacity
1,000 mm	1,550 kg	1,000 mm	1,250 kg
1,500 mm	1,000 kg	1,500 mm	800 kg
2,500 mm	500 kg	2,500 mm	400 kg

